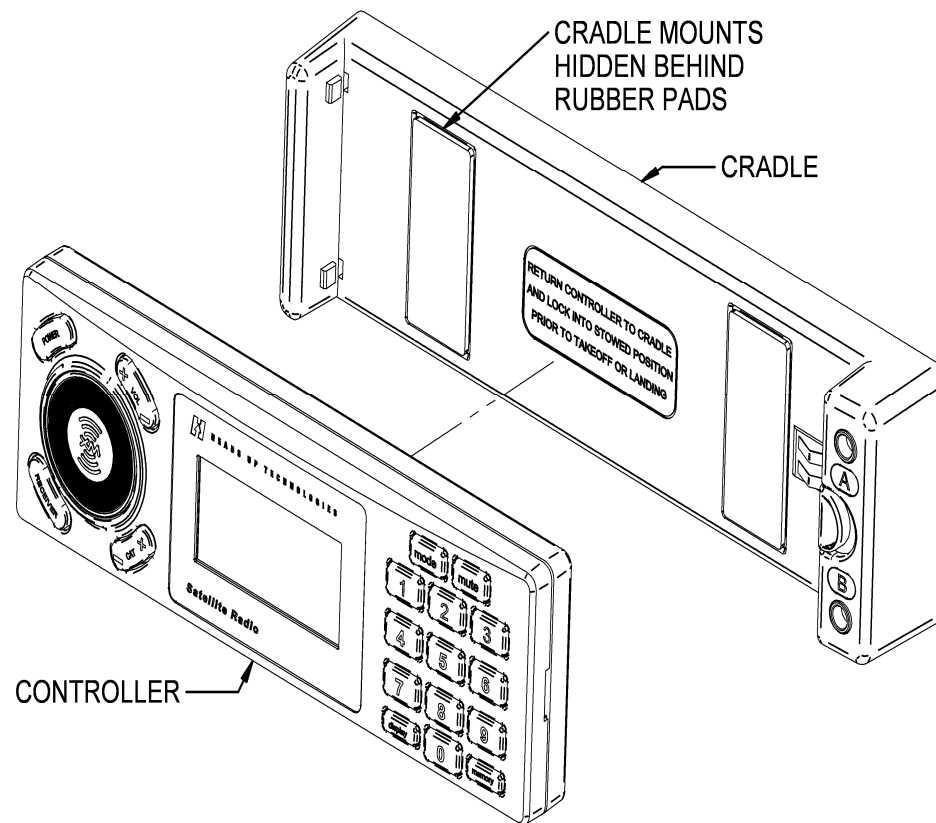


King Air XM Satellite Radio

Satellite Radio In Your Aircraft:

One big idea can change everything. And XM Satellite Radio is one big idea: Radio to the Power of X®. America's most popular satellite radio service offering digital channels of sheer variety: music, sports, talk, comedy, drama, news, traffic and weather, kids programming, and more. XM offers the most commercial-free music, and XM's instant traffic and weather channels provide comprehensive, in-depth information. These services are available for a low monthly subscription, and additional devices may qualify for a reduced subscription fee through the XM Family Plan.

170 XM Satellite Radio channels of music, news, sports, traffic & weather, talk, comedy and more are available coast to coast and several hundred miles offshore in the United States and portions of North America.



King Air XM Satellite Radio

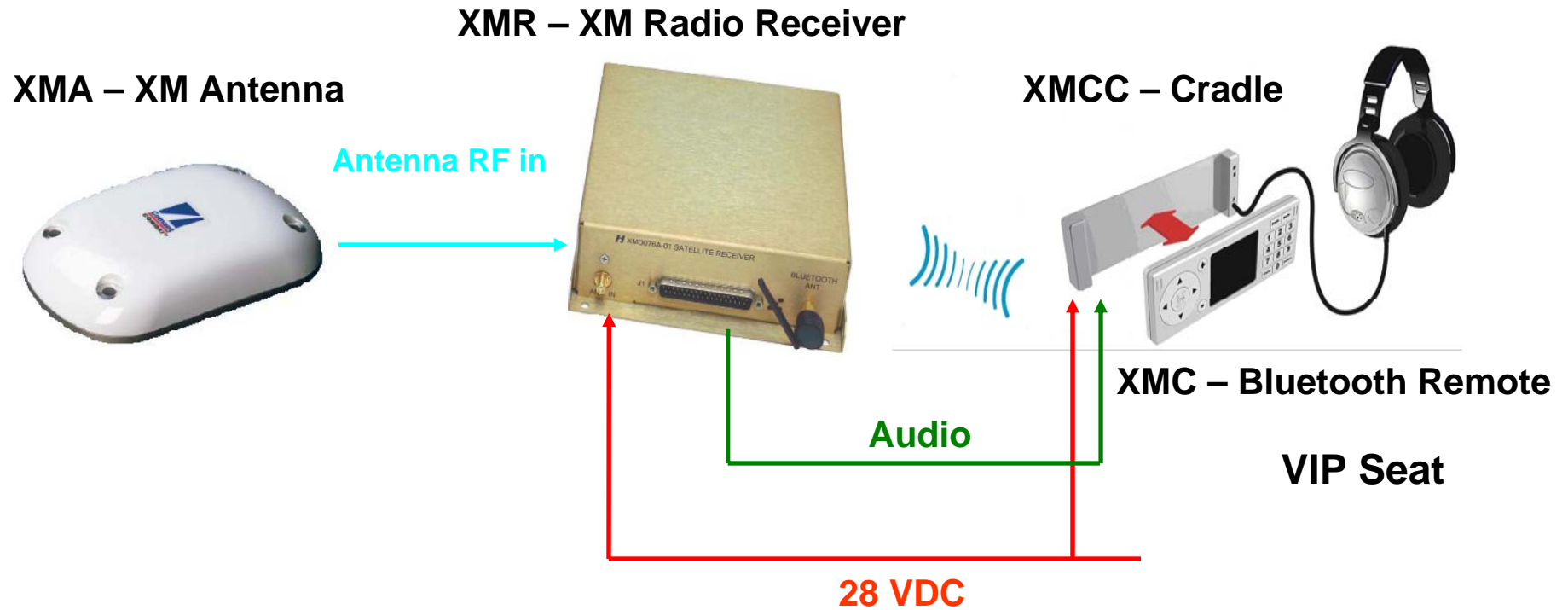
<i>Part Number</i>	<i>Description</i>	<i>List Price \$</i>
XMC055-01	Bluetooth Remote	\$1,182.60
XMC055C-01	Bluetooth Cradle	\$338.40
XMR050-01	Receiver Single Unit	\$1,341.00
HDR-140	Wireless Headset	\$145.00
CI 401-460	Antenna	\$672.22
FD900X3B	WIRELESS AUDIO TRANSMITTER	\$1,479.00

XM Subscription Not Included

Hawker Beechcraft King Air B200/B200C/300/300LW/B300/B300C

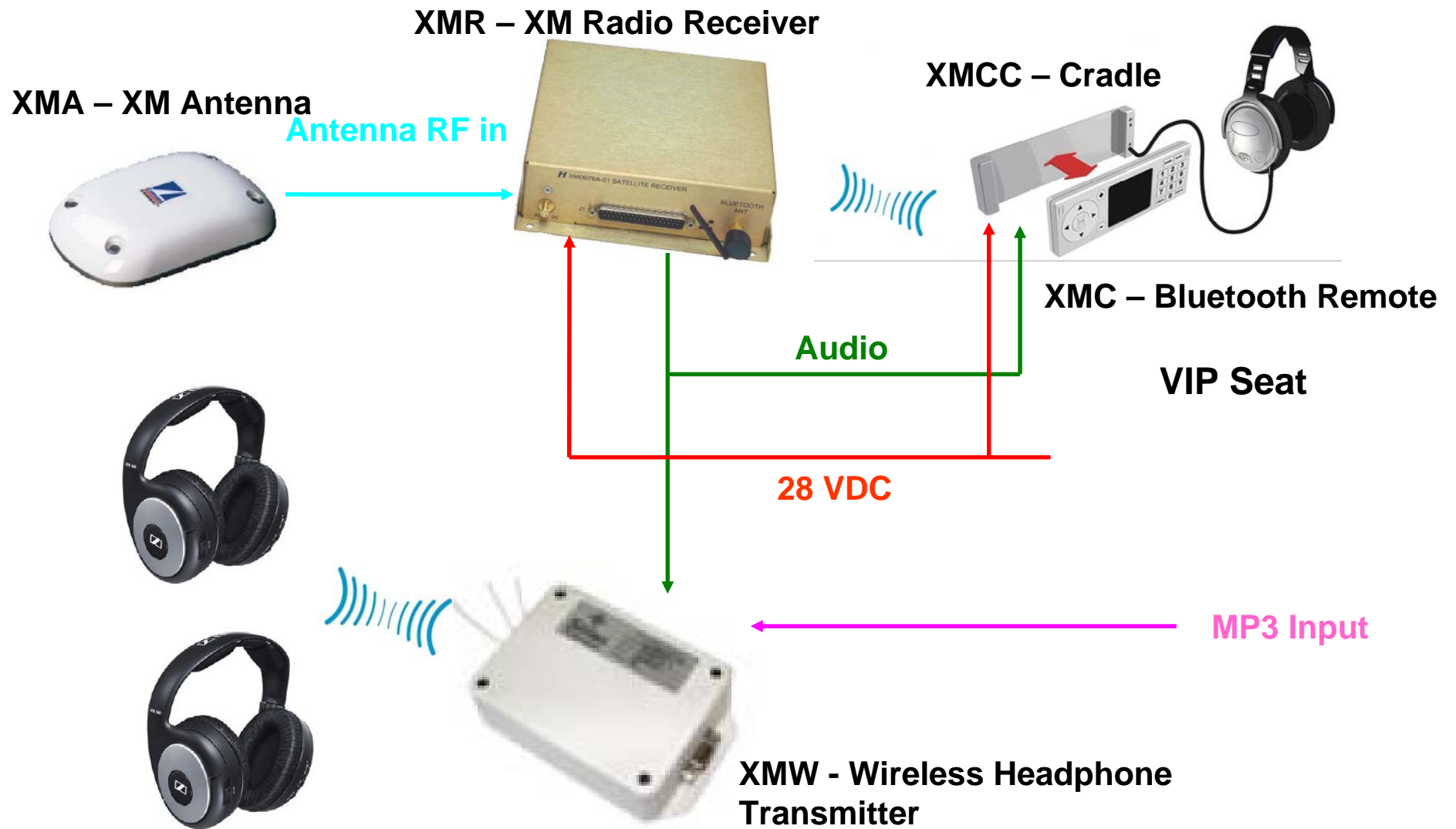
Questions call Customer Support @ 1-888-727-4344

Baseline system



The baseline system offers the user the ability for two passengers to listen to XM entertainment using wired headsets and a wireless controller that can be handed to passengers to select their entertainment choice

Option 1 system



Option 2 system

